

Wave Washer

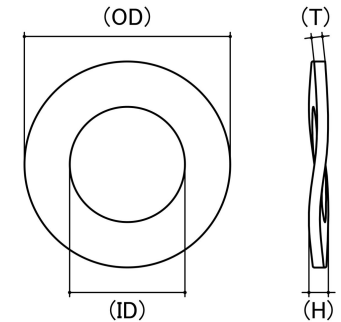
Material: Stainless Steel

Class Grade: A2-70 G304

Corrosion Protection Level: Excellent

Standard: DIN 137B

System Of Measurement: Metric



*CAD drawings shown for graphic representation only.**

Industry Size	Inside Dimension (ID) (mm)		Outside Dimension (OD) (mm)		Thickness (T) (mm)		Unloaded Washer Height (H) (mm)		sku (qfind)
	Min	Max	Min	Max	Min	Max	Min	Max	
M3 x 8 x 0.5	3.10	3.50	7.70	8.20	0.45	0.55	0.80	0.90	71WS38
M4 x 9 x 0.5	4.10	4.60	8.70	9.20	0.45	0.55	1.10	1.30	71WS49
M5 x 11 x 0.5	5.10	5.60	10.70	11.20	0.45	0.55	1.10	1.40	71WS511
M6 x 12 x 0.5	6.10	6.60	11.70	12.20	0.50	0.60	1.30	1.60	71WS612
M8 x 15 x 0.8	8.30	8.80	14.70	15.20	0.75	0.85	1.70	2.10	71WS815

Disclaimer:

Dimensional data and technical information was obtained from publically available sources and not acquired through standard agencies. It has been completed and compiled for reference purposes only; where discrepancies are found they are subject to change without notice. Bolt & Nut Australia makes no warranties or representations regarding the accuracy and validity of the compiled information and data. Contact the relevant standard authorities for accurate and detailed information.

* CAD drawings may not reflect diameter, thread length or overall length.

© Bolt & Nut Australia Pty Ltd. All rights reserved.

Version: 18 Mar 2024